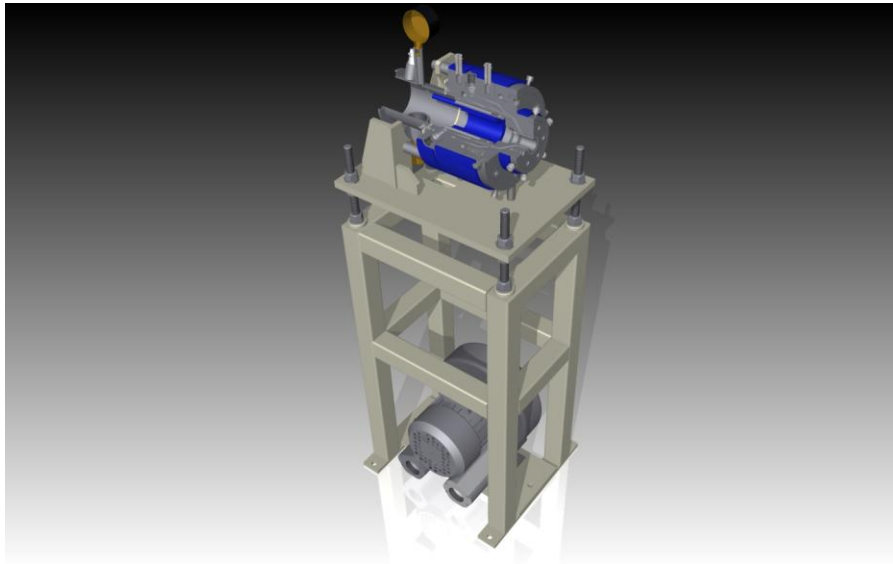




2 layer coating dies



Applications for 2 layer coating dies

For coating prefabricated pipes produced from PB, PEX, PERT, PP-R or similar plastic, also suitable for aluminum composite pipes. The pipes are then coated with a layer of adhesive, or EVOH or for example a layer of HDPE as a protective layer.

A vacuum tank, blower or undercarriage are available on request.

Model	Pipe range in mm from - to	Max. heating each zone in kW	Zones incl. U-insert
2/U12 G	4 – 12	2,0	3
2/U20 G	10 – 20	2,0	3
2/U25 G	12 – 25	2,5	4
2/U32 G	15 – 32	3,0	4
2/U42 G	20 – 42	3,0	4
2/U55 G	25 – 55	3,0	4
2/U75 G	32 – 75	4,0	4
2/U90 G	50 – 90	4,0	5
2/U125 G	75 – 125	5,0	5
2/U160 G	90 – 160	5,0	5

Technical changes reserved – 10/2013

Not listed sizes possible on request.